

Integrated PTZ IP Camera

PL-2900



Pan/Tilt Feature

- Accurate stepper motor, stable operation, accurate position and quick response.
- Manual speed: 0.1°-80°/sec for pan; 0.1°-40°/sec for tilt.
- Preset speed: 80° /sec for pan; 40° /sec for tilt.
- Auto scan speed: 1°-40°/set

Camera Feature

- Various high resolution camera module selectable;
- Backlight compensation function;
- Colour or B&W imaging switching function;
- Video WDR;

Built-in Decoder Feature

- Web built-in function menu, the function of camera and pan & tilt can be set;
- Support setting Virtual home position;
- With pan auto-scan function;
- 2 pattern, 4 preset tour functions;
- 255 preset positions, error less than ± 0.1 ;
- Image clicking to zoom;
- Power off memory function, can record the movement before power off;
- Auto flip function;
- Change speed proportionally—Pan/tilt speed and the depth of zoom lens decline proportionally;
- Park action function;

Network Feature

- High performance video processing chip and H.264 video coding, supports 720p / 1080p high resolution image; (*Model dependant*)
- Dual streaming, support different bandwidth application;
- Multi IP protocol and perfect IP applicability, for different kinds of network Environment;
- Supports traversing NAT, DNS, Multicast technology;
- Supports TF local-storage, maximum capacity is 32GB, memory card slot available; Automatic switchover to local-storage when network is broken;
- Built-in Web Server, users can real-time view and set management by standard IE browser;
- Supports motion detection alarm, video-lost detection;
- Insert main stream and Sub stream, main stream supports multi resolution;;
- Supports image capturing, default format is JPG;
- Supports motion detection (zone, sensitivity can be set) and email alarm;
- Supports static address, DHCP or PPPoE;
- Alarm Linkage Function;

Protection Feature

- With surge and lightning protector
- With wiper, heater, fans
- IP66, CE, FCC, RoHs compliance

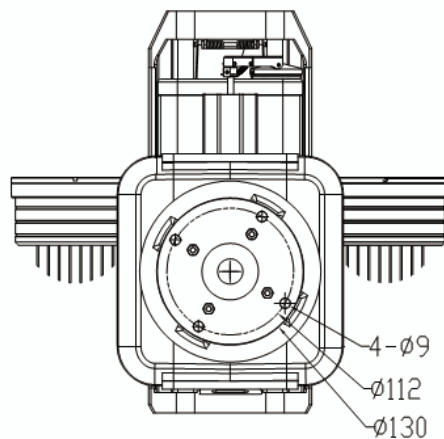
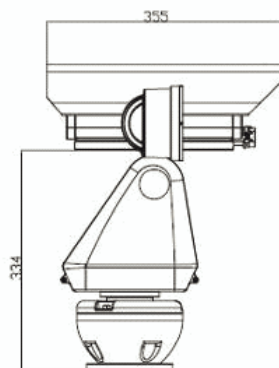
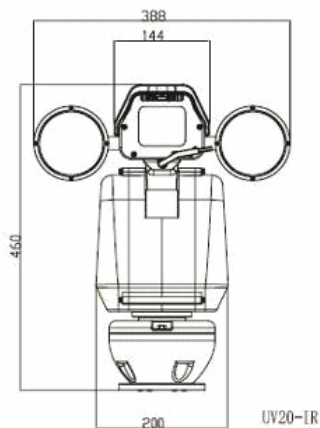
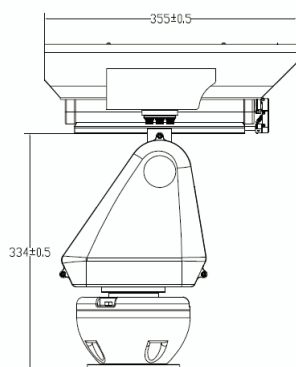
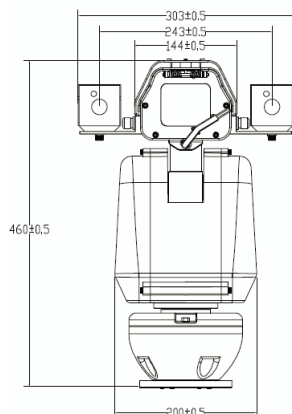
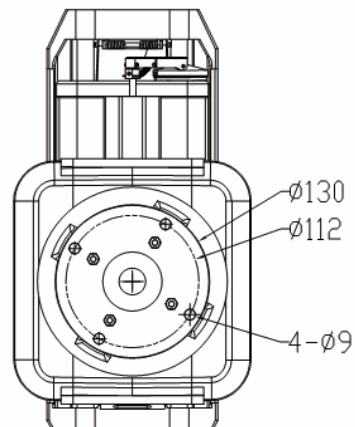
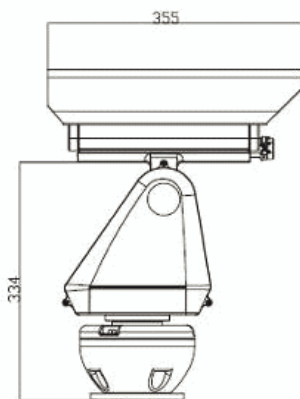
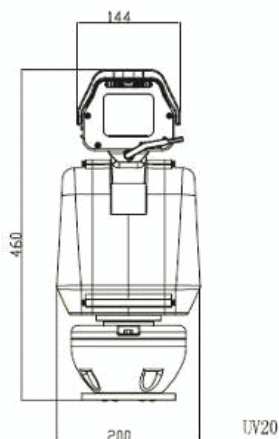
Order No

- | | | |
|--------------|----------------------------|----------------|
| • PL2900IR | 20X Colour/BW (with IR) | Pedestal Mount |
| • PL2900IR-W | 20X Colour/BW (with IR) | Wall Mount |
| • PL2900LS | 20X Colour/BW (with laser) | Pedestal Mount |
| • PL2900LS-W | 20X Colour/BW (with laser) | Wall Mount |

Integrated PTZ IP Camera

PL-2900

Dimensions



Integrated PTZ IP Camera

PL-2900

Model	PL-2900-HD-IR	PL-2900-HD-LS
Camera / Lens		
Image Sensor	1/2.8 inch	1/2.8 inch
Scan System	progressive	progressive
Pixel	2 million	2 million
Focal Length	f = 4.7 - 94mm	f = 4.7 - 94mm
Angle	2.9° (far) ~ 55.4°(near)	2.9° (far) ~ 55.4°(near)
Zoom	20x optical / 12x digital	20x optical / 12x digital
Zoom speed	4.9 sec	4.9 sec
Focus	Auto/manual	Auto/manual
Lens iris	F1.6 ~ F3.5	F1.6 ~ F3.5
Iris control	Auto/manual	Auto/manual
Low lux	0.09lux 1/30s IrcfON	0.09lux 1/30s IrcfON
	0.005lux 1/4s IrcfON	0.005lux 1/4s IrcfON
	0.25lux 1/4s IrcfOFF	0.25lux 1/4s IrcfOFF
Shutter speed	Auto/manual	Auto/manual
Gain control	Auto/manual	Auto/manual
White balance	Auto/manual	Auto/manual
BLC	Open/off	Open/off
Day/night	YES	YES
WDR	YES	YES
S/N	>50dB	>50dB
IR parameter		
IR distance	100m	200m
Angle	18°	16°
IR lamps	2pcs	2pcs
Voltage	DC12v	DC12v
Power	2 * 6W	2 * 10W
Dimension (LxWxH)	2 * Ø 108 x 85mm	215 x 92 x 112mm (per pcs)
Net weight	2 * 0.5kg	2 * 0.5kg
Video coding		
Format	H264	H264
Resolution	Main stream 1080p (1920*1080, sub-stream (640*320), (320*280), support dual stream	Main stream 1080p (1920*1080, sub-stream (640*320), (320*280), support dual stream
Video code rate	32kbps ~ 16Mbps	32kbps ~ 16Mbps
Video frame bitrate	1 ~ 30 frame/sec	1 ~ 30 frame/sec
Title OSD	Supports channel name, date and video stream information overlay; OSD location is adjustable	Supports channel name, date and video stream information overlay; OSD location is adjustable
Image adjust	Brightness; contrast; saturation	Brightness; contrast; saturation
Outside interface		
Web interface	1 x T/10Base ~ T/100Base, RJ45 Interface	
Alarm interface	1 x switch in; 1 x switch out	
Storage interface	1 x TF card interface built in	
Audio interface	1 x line input; 1 x line output	
Network protocol and feature		
Protocol	TCP/IP; ARP; ICMP; FTP; RTP/RTCP; NTP; DNS; DDNS; SNMP; PPoE	
Feature	Supports heartbeat detection, intelligent retransmission restructuring, traversing NAT, ANR	
Application		
application	Alarm linkage, voice monitoring and talkback	
Setting and maintenance	1) support web browser configuration management and video browse	
	2) can connect to platform (NVR) for parameter configuration and status management	
System integration support	Offers fully functional API, video decoding activeX, SDK and developer file	
Mobile monitoring	Supports Windows mobile, Symbian, iPhone smart phone monitoring	
Electrical parameter		
Input voltage	24VAC	
Input power	30VA (no heater); 40VA (with heater)	
Working temperature	-40° ~ +55°C	
Working humidity	10% - 90%	
Structural		
Material	Aluminium alloy	
Glass	4.5mm high intensity optical coated glass	
Weight	12kg (only for PTZ body)	
Colour	Grey	

Integrated PTZ IP Camera

PL-2900

Model	PL-2900-HD-IR	PL-2900-HD-LS
Structural		
Body dimension	388 x 355 x 460mm	303 x 355 x 460mm
Package size	638 x 468 x 482mm	
Package material	Carton + pearl cotton	
Mounting brackets	Pole mount adaptor; wall mount	
Accessories	Manual (x1), certification (x1), wall bracket (optional), Power supply (indoor style; IP66 optional), pedestal mount, Ø8x40 bolt(x4), gloves(x1), hydrosphere(x1), 13mm Allen key	
Environment		
Working temperature	-40°C ~ +55°C, without IR: -25°C ~ +55°C, with IR: : -10°C ~ +40°C	
Storage temperature	-10°C ~ +60°C	
Working humidity	20% ~ 90%	
Storage humidity	20% ~ 80%	
Application	Indoor / outdoor	
Transportation	Unlimited	
Grade of protection	IP66 (outdoor), built-in surge and lightning protection devices	
Certification	Meets CE, FCC standards and has RoHS certification	
Wiper	YES	
Defroster	YES	

Specifications not limited and are liable to change without notice

For further information please contact our sales team:

plettac Security UK Ltd
 39 Sir Frank Whittle Business Centre
 Great Central Way
 Rugby
 Warwickshire
 CV21 3XH

Tel: 0844 800 1725
 Fax: 01788 544549

Email: info@plettac.co.uk
 Web: www.pleltac.co.uk